

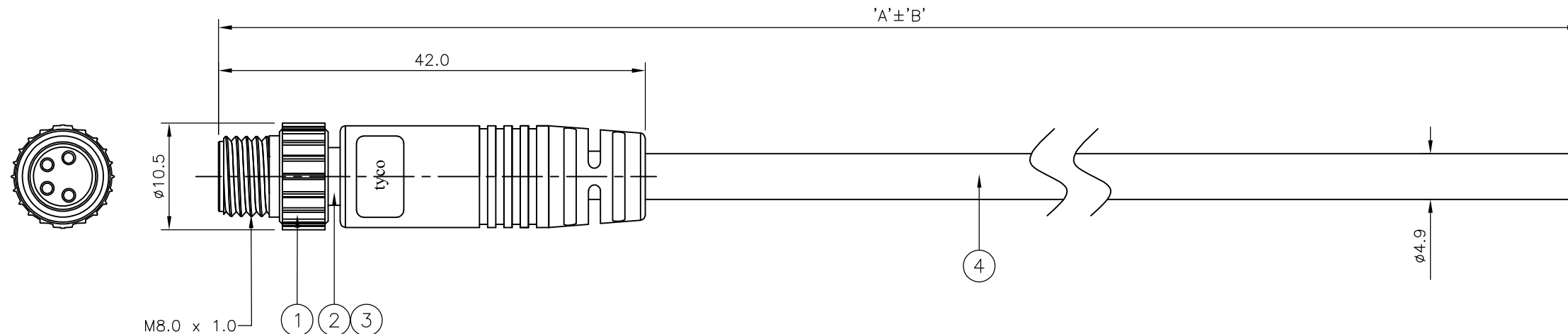
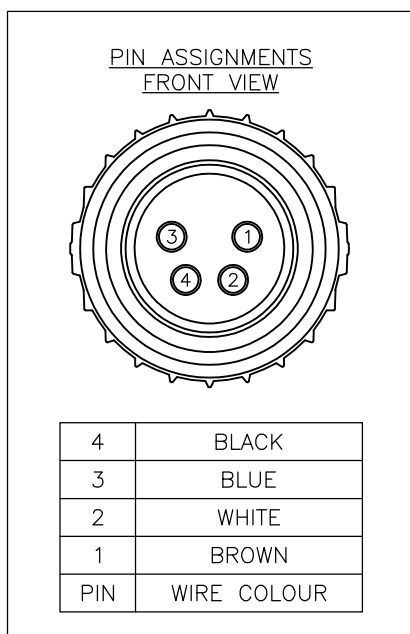
THIS DRAWING IS UNPUBLISHED. RELEASED FOR PUBLICATION MARCH, 2006.

© COPYRIGHT 2006 BY TYCO ELECTRONICS CORPORATION. ALL RIGHTS RESERVED.

LOC	DIST	REVISIONS					
E	B	P	LTR	DESCRIPTION	DATE	DWN	APVD
		B		ECR-07-010786	08/05/07	AM	FWK

- NOTES:**
- ELECTRICAL DATA: CONTACT RESISTANCE: 10 mOhm MAX
INSULATION RESISTANCE: 100 MOhm MIN at 500VDC
CURRENT RATING: 5 AMPS
BREAKDOWN VOLTAGE: 500 VAC MIN PER MINUTE
 - ENVIRONMENTAL: OPERATING TEMPERATURE: -25°C TO +90°C
SEALING REQUIREMENTS: IP67
 - PROD SPEC: 108-3641
 - PACKAGING: 107-3334
 - FOR TECHNICAL DATA REFER TO YOUR LOCAL TYCO ELECTRONICS SALES OFFICE
 - ALL DIMENSIONS ARE NOMINAL FOR REFERENCE ONLY UNLESS OTHERWISE STATED

ITEM	DESCRIPTION	MATERIAL	FINISH/COLOUR	QTY
1	SCREW NUT	ZINC DIE CAST	2.5µm NICKEL PLATED	1
2	CONNECTOR BODY	POLYURETHANE	BLACK	1
3	PIN CONTACT	BRASS	0.15µm GOLD OVER NICKEL	4
4	4 CORE CABLE (CORES 0.34mm ²)	PU JACKET	BLACK	1



10000	500 mm	M8 STRAIGHT MALE CONNECTOR 10.0m CABLE	1838289-5
7000	350 mm	M8 STRAIGHT MALE CONNECTOR 7.0m CABLE	1838289-4
5000	250 mm	M8 STRAIGHT MALE CONNECTOR 5.0m CABLE	1838289-3
3000	150 mm	M8 STRAIGHT MALE CONNECTOR 3.0m CABLE	1838289-2
2000	100 mm	M8 STRAIGHT MALE CONNECTOR 2.0m CABLE	1838289-1
DIM A	TOL 'B'	DESCRIPTION	PART NUMBER

THIS DRAWING IS A CONTROLLED DOCUMENT.		DWN	03APR06	tyco Tyco Electronics Corporation	
		CHK	07AUG06	Electronics Bideford, UK, EX39 4HE	
		APVD	07AUG06	NAME	
		F.WHEELER-KING			
		F.WHEELER-KING			
		PRODUCT SPEC			
		APPLICATION SPEC			
		SIZE	CAGE CODE	DRAWING NO	RESTRICTED TO
		A3	00779	C-1838289	-
		CUSTOMER DRAWING		SCALE	SHEET 1 OF 1
				NTS	REV B